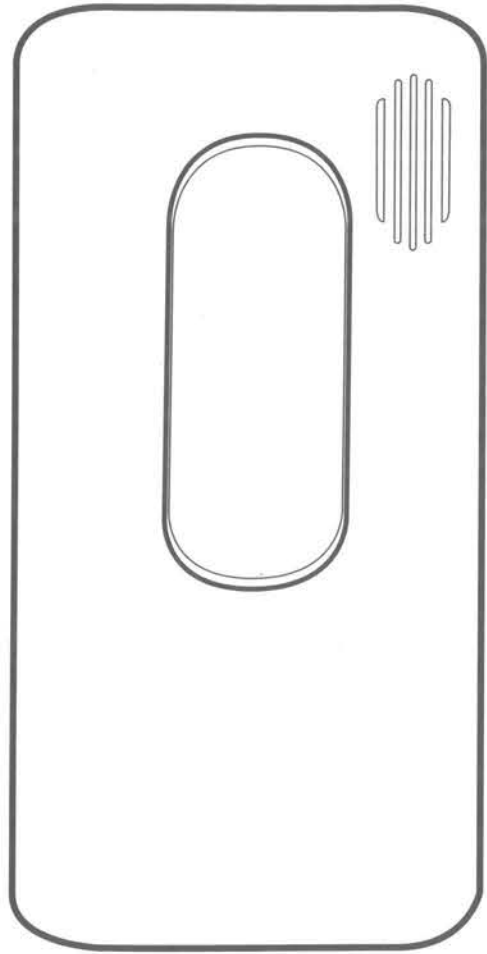
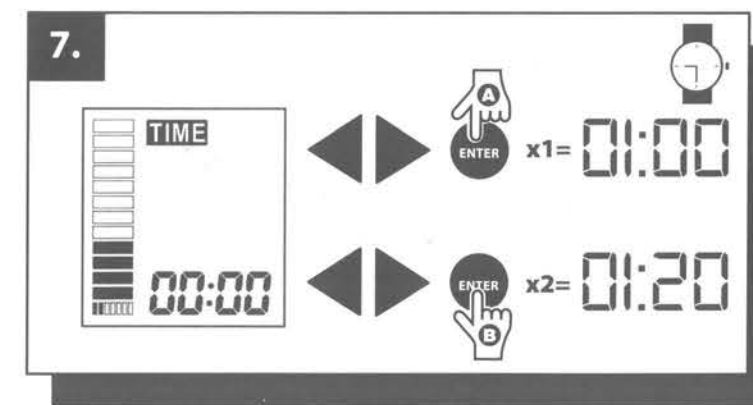
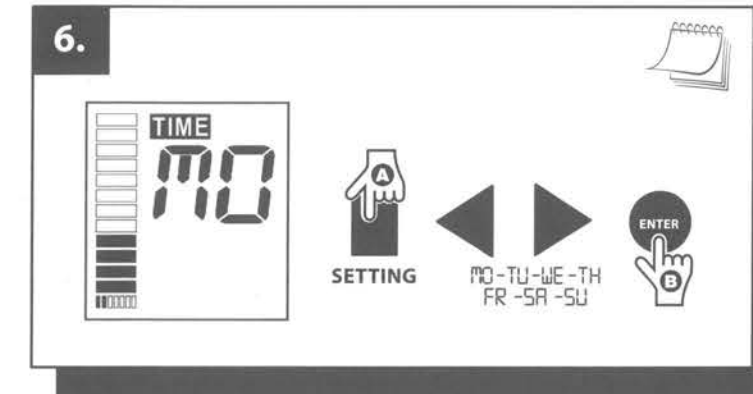
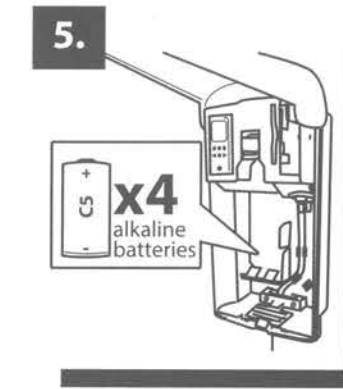
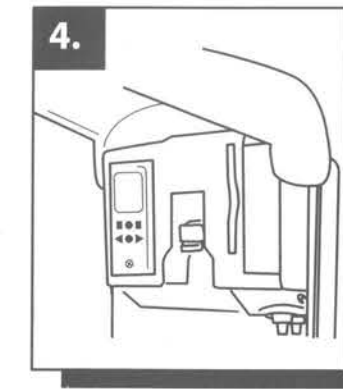
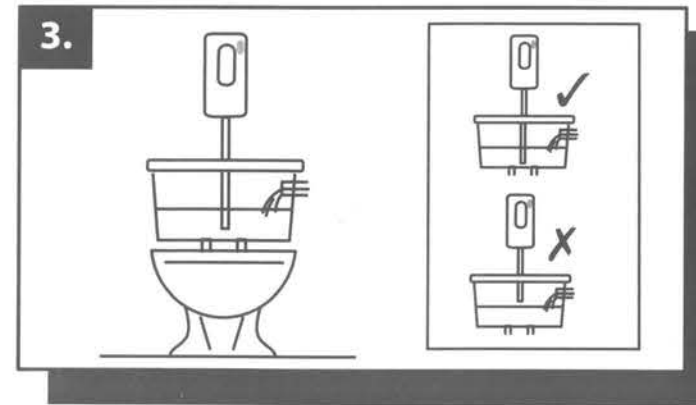
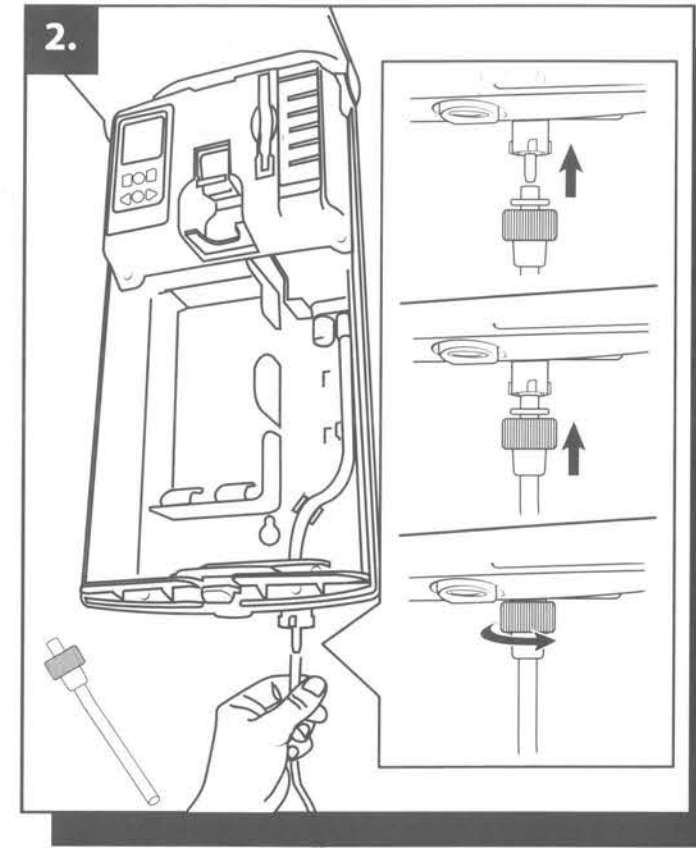
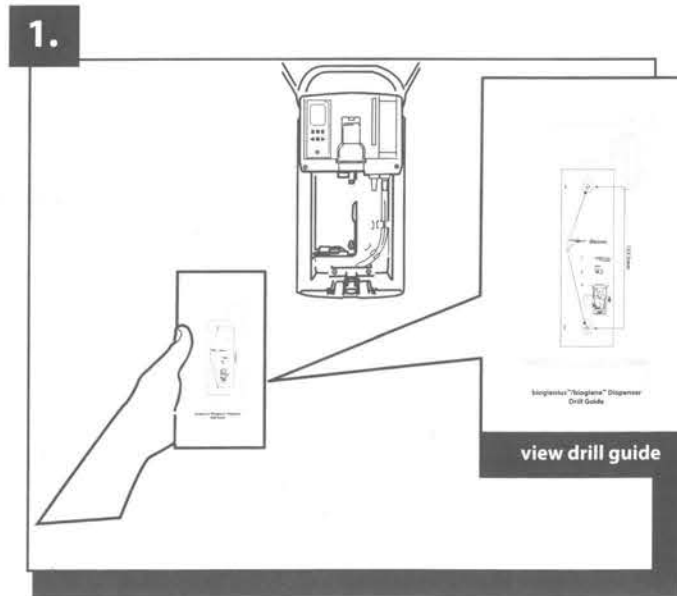
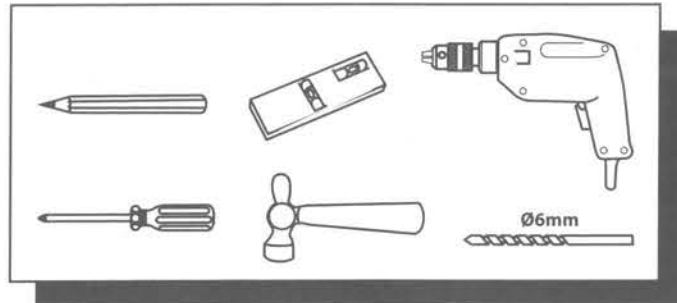
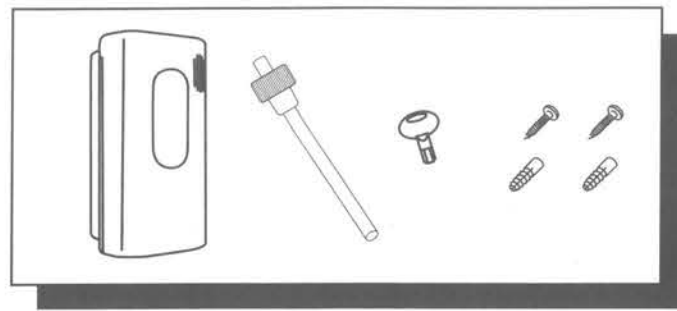


Biogene™/Biogienius™ LCD Dispenser Operating Guide

Biogene™ dispenser 950321
Biogienius™ dispenser 950391



HYGIENE
VISION™



8.

SETTING x2 30d 60d 90d

11.

00 - 23

13.

IMPORTANT!
Biogiene™ dispenser
950321 model only

9.

FR = Mo-Fr
SA = Mo-Sa
SU = Mo-Su

12.

90 Days ✓ 60 Days ✓ 30 Days ✓

14.

RESET x3 sec

15.

10.

12 = 12hr
16 = 16hr
24 = 24hr

+ LOW

RESET
x3 sec

European Headquarters: Stamford, PE9 2EE, UK.
t: +44 01733 371932 info@hygienevision.com
www.hygienevision.com